

## DESCRIPTION

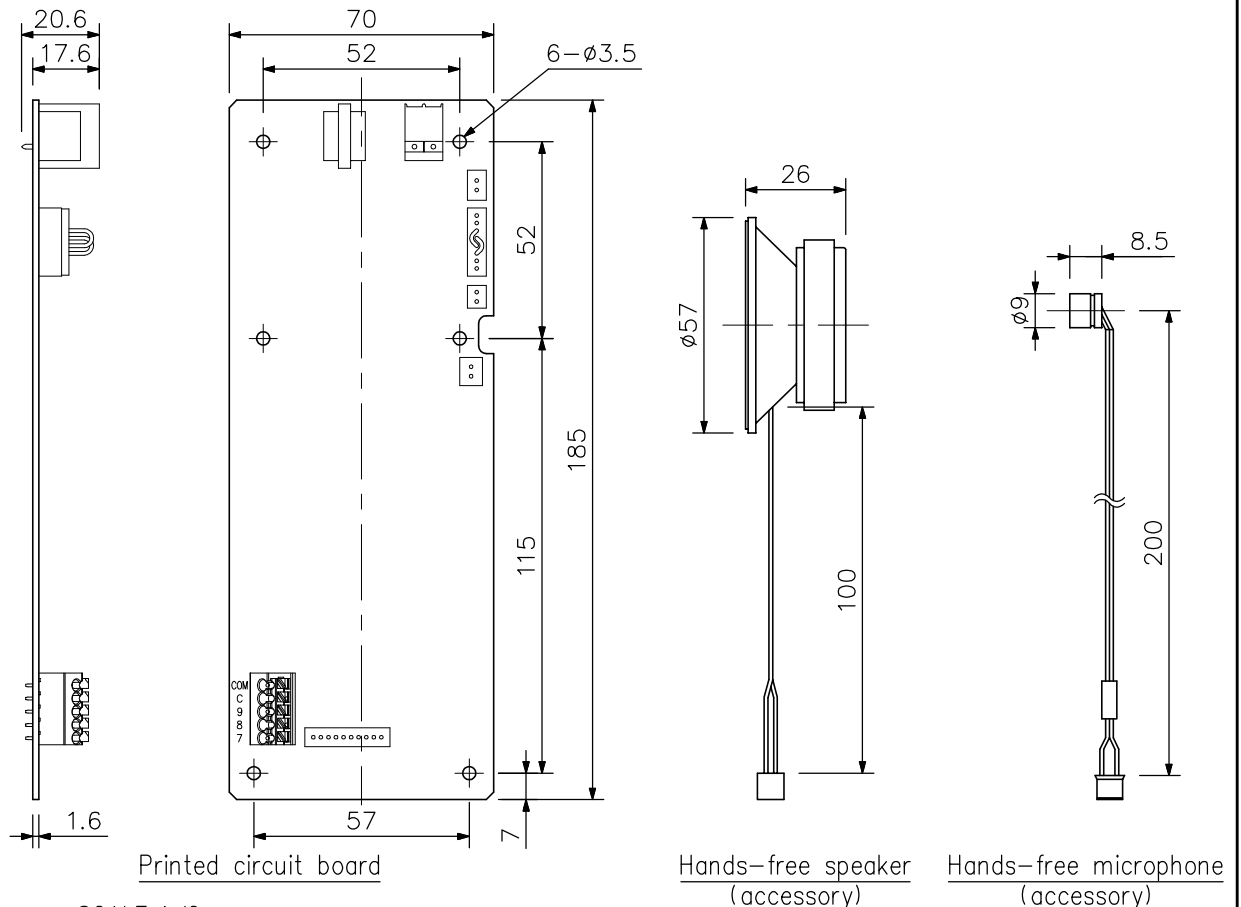
The N-8031SB is a printed circuit board unit for the N-8031MS Flush-mount Hands-Free Master Station. You can make the master station suitable for applications using the N-8031SB in combination with the operation panel section to be prepared separately.

## SPECIFICATIONS

\* 0 dB = 1 V

|                          |   |
|--------------------------|---|
| Power Source             | 48 V DC (supplied from the IP intercom exchange (option))   |
| Power Consumption        | 1.8 W (at rated), 2.4 W (max.)  |
| Wiring Method            | Non-polar one pair stranded wire system   |
| Transmission System      | 2 wire 160 kbps echo canceller transmission system  |
| Signal Level             | Under 0 dB*   |
| Speech Method            | Hands-free conversation<br>(Handset conversation can be established in conjunction with the RS-191 (option)).   |
| Audio Frequency Range    | 300 - 7,000 Hz  |
| Transmission Range       | Max. 1500 m (∅0.65 mm, Loop resistance 170 Ω)   |
| Hands-free               | Speaker (accessory): 5.7 cm cone-type, 0.6 W, 8 Ω<br>Microphone (accessory): Omni-directional electret condenser microphone   |
| Line Connection Terminal | Pin header (2 pins)   |
| Status Indicator LED     | Solderless connector (2 pins, male), voltage: 5 V, maximum load current: 5 mA   |
| Connecting Terminal      |   |
| Dial Input               | Solderless connector (10 pins, male), open voltage: 3.3 V DC, short-circuit current: 1 mA   |
| External Dial Input      | No-voltage make contact input, open voltage: 5 V DC, short-circuit current: 1 mA, screwless connector (5 pins)  |
| Operation Temperature    | 0°C to +40°C  |
| Operation Humidity       | Under 90% RH (no condensation)  |
| Dimensions               | 70 (W) × 185 (H) × 20.6 (D) mm  |
| Weight                   | 205 g (including accessories)   |
| Accessory                | Removable terminal plug (2 pins, preinstalled on the unit) ---1,<br>Handset jumper (8 pins, preinstalled on the unit) ---1, Ferrite clamp ---1,<br>Hands-free speaker (with connection cord) ---1,<br>Hands-free microphone (with connection cord) ---1 |
| Option                   | Option handset: RS-191  |

## APPEARANCE



UNIT: mm SCALE: 1/2